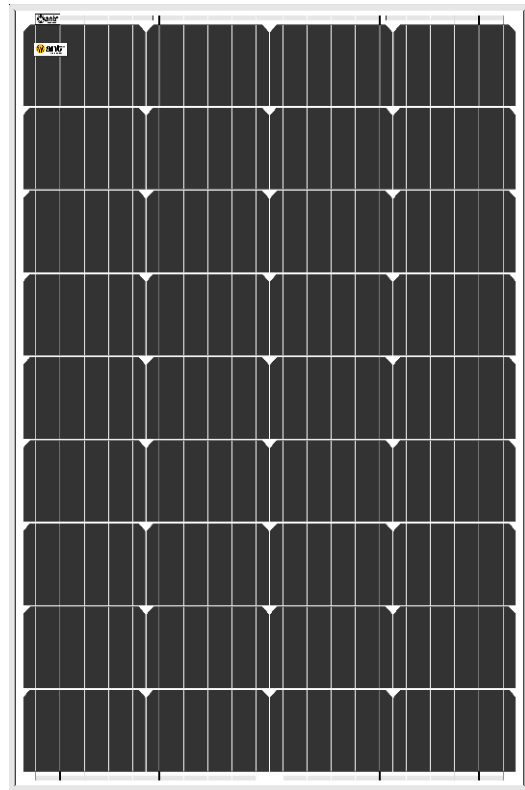
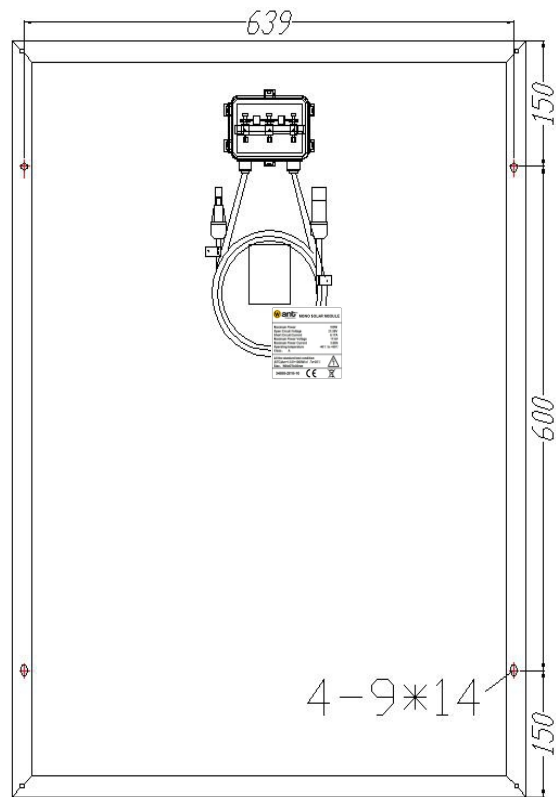


M100W



Front view



Back view

Model Want-M100W

Electrical Parameters

Power	100Wp(Other Power upon request)
Rated Maximum Power	100Wp
Solar Cells Technology Mono	156.75*93MM/4*9
Solar Cells Efficiency	19.64%
Solar Modules Efficiency	19.05%
Maximum Power Voltage(Vmp)	17.6 V
Maximum Power Current(Imp)	5.68A
Open Circuit Voltage(Voc)	21.59 V
Short Circuit Current(Isc)	6.17 A
Application Grade	Grade A

Mechanical Parameters

Dimensions	900*670*30mm
Weight	8.6kg
Diodes	2*10A

Cable	2.5m ²
Junction Box	IP65
Lifespan	25 years
Package	2pcs/CTN
Standard Test Conditions	1000W/m ² ;25°C; AM1.5

Performance Parameters

Maximum System Voltage	1000V
Maximum Series Fuse Rating	10A
Operating Temperature	-40~+80°C
Temperature Coefficient of Voc	0.38%/°C
Temperature Coefficient of Isc	+0.04%/°C
Temperature Coefficient of Pmp	-0.47%/°C
Maximum Load	5400Pa
NOCT	45 ± 3°C

Quality Warranty

8 years warranty. 8 years 90% of minimum rated output power, 25 years of minimum rated output power warranty

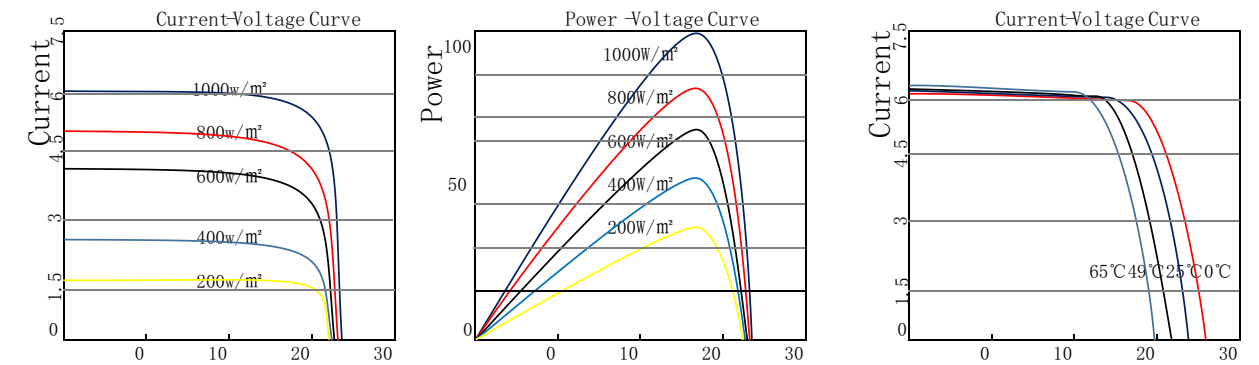
Standards & Certifications

CE Pending
IEC Pending
TUV SAAR Pending
ISO Pending
CQC Pending



M100W

Diagram



Quality Warranty

25 years Limited Warranty or Power output. 90% power output assurance for 8 years and 80% power output assurance of 25 years.

Project Cases

